

Description

Unique Appearance

With aluminum lamp body with CNC technology process and integrated with the large crystal glass lens, the unique appearance reflects the beauty of science and technology;

Atmosphere Creating

Distinctive upwardly inverted conical light pattern integrates the atmosphere and lighting perfectly;

Touch Switch

The various demands can be satisfied by 360° touch control on the metal body and 4-step dimming (10%, 20%, 50%, 100%);

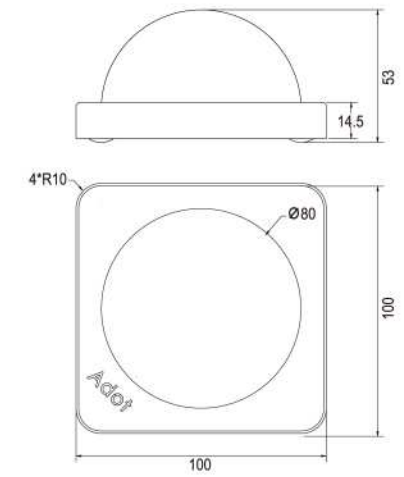
USB charging

Micro USB charging is universal and convenient;

Drawing



Dimension



Unit: mm

Spec.

Model	Wattage	Input Voltage	Color	CCT	Operation Condition
MAGIC5WWD1-SI-EN	3W	5V 1A	Silver	3000K	-10°C ~ 40°C RH15% ~ 50%
MAGIC5WWD1-GL-EN			Golden		
MAGIC5NWD1-SI-EN			Silver	4000K	
MAGIC5NWD1-GL-EN			Golden		

Basic Spec.	
Main Material	Alloy Aluminum+Pyrex glass
Color Index	Ra>80
IP Rate	IP20
Control Method	Touch Control
Dimming Mode	4-step Dimming

Lighting Source	
Brand	Lumileds
Model	Luxeon Z ES
Quantity	1PC
Beam Angle	36°
Lifespan	36000Hrs

Package	
Size	135*135*95mm
Material	Gray Card+EVA
Packing List	Lamp/Manual
N.W.	0.59KG
G.W.	0.83KG

Adapter is not included in the packing list, need to be ordered separately if required.

Application



Magic Table lamp